

# INGROUND POOL LINER MEASUREMENT PROCEDURE



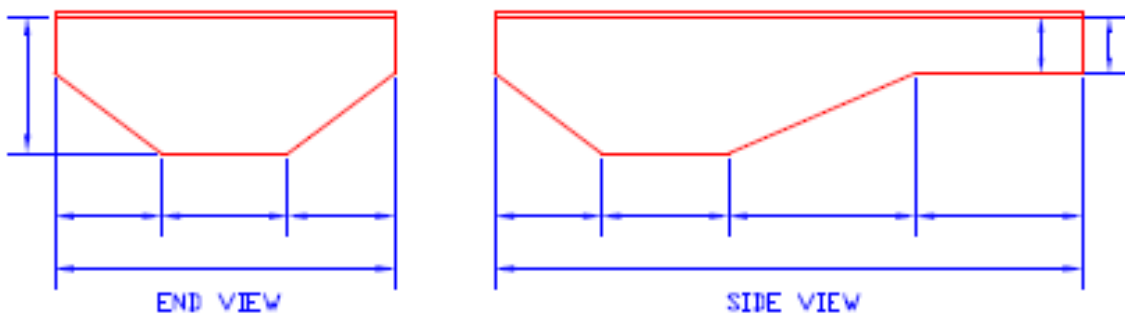
April 18, 2011

1) FILL OUT THIS SECTION ON ``SIDE ``A`` OF THE MEASUREMENT SHEET.

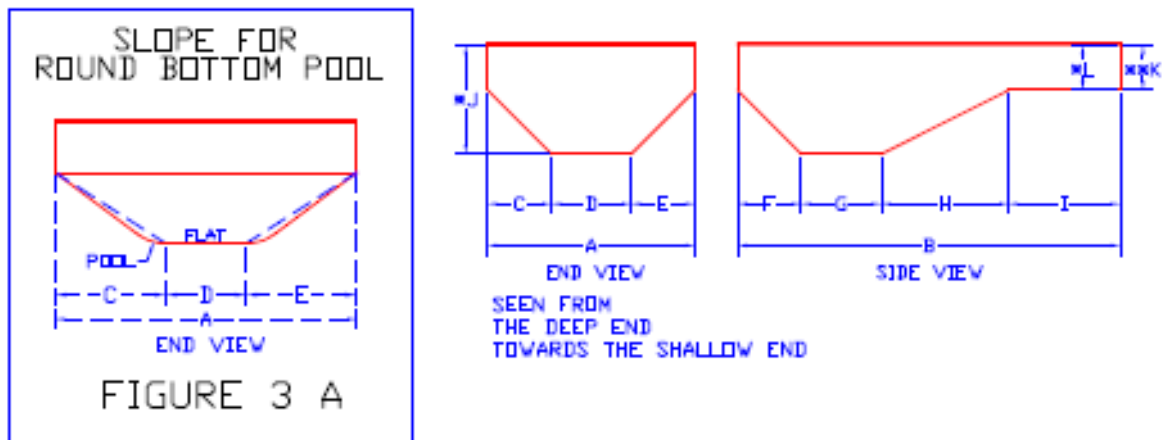
Customer #: \_\_\_\_\_ Measured by: \_\_\_\_\_  
 Name: \_\_\_\_\_ Model: \_\_\_\_\_  
 Address: \_\_\_\_\_ left  Right  Date: \_\_\_\_\_  
 City: \_\_\_\_\_ Wall colour: \_\_\_\_\_  
 Tel.: \_\_\_\_\_ Floor colour: \_\_\_\_\_

2) FILL OUT THIS SECTION ON SIDE ``B`` OF THE MEASUREMENT SHEET FOR STANDARD SLOPES. IF THE SLOPES ARE NON-STANDARD (SEE FIGURES 4 TO 8) OR ROUNDED BOTTOMS, (SEE FIGURE 3 A), MODIFY THEM ON SIDE ``B`` ON THE MEASUREMENT SHEET TO REFLECT THE SLOPES OF THE POOL, OR DRAW THE SLOPES ON SIDE ``A`` OF ANOTHER MEASUREMENT SHEET.

### STANDARD SLOPE



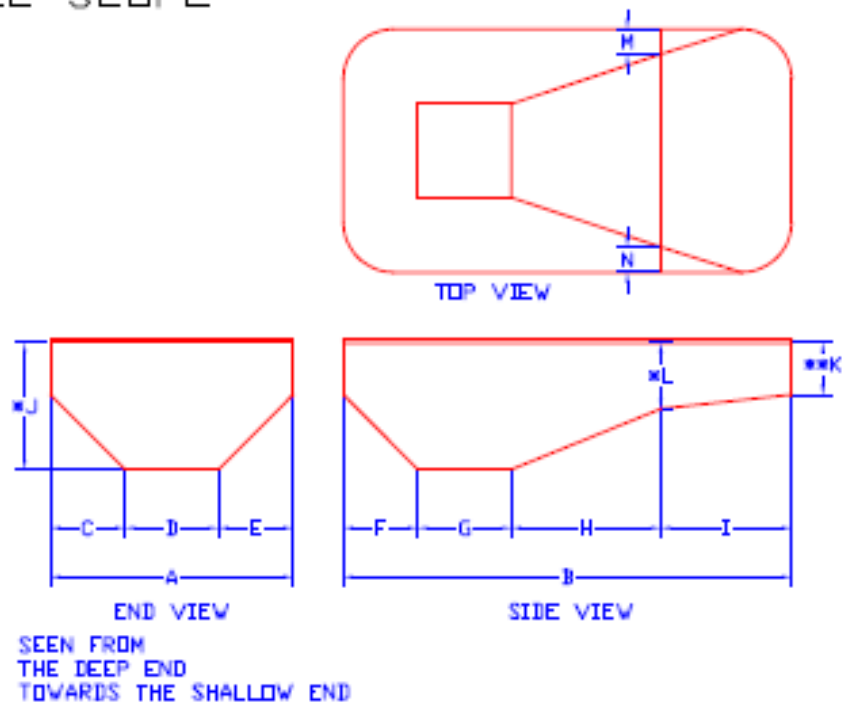
### STANDARD SLOPE



\*THE HEIGHT BETWEEN THE BEAD RECEPTICAL (COPING) AND THE POOL FLOOR  
 \*\*THE HEIGHT BETWEEN THE BEAD RECEPTICAL (COPING) AND THE BOTTOM OF THE WALL  
 NOTE: -> ALL DIMENSIONS MUST BE FINISHED HORIZONTALLY OR VERTICALLY  
 -> DIMENSIONS F + G + H + I MUST TOTAL DIMENSION 'B'  
 -> DIMENSIONS C + D + E MUST TOTAL DIMENSION 'A'

FIGURE 3

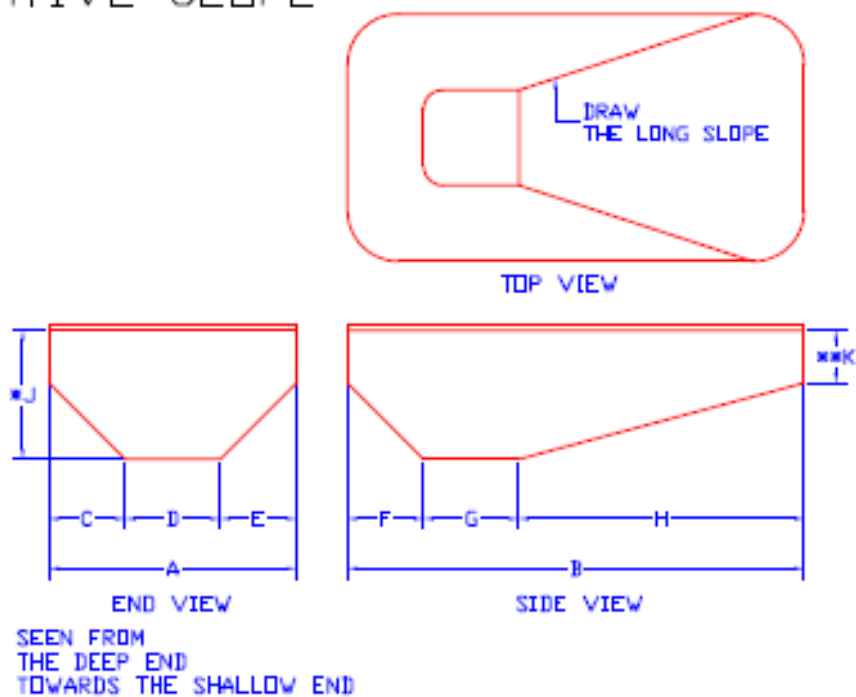
## DOUBLE SLOPE



- \*THE HEIGHT BETWEEN THE BEAD RECEPTICAL (COPING) AND THE POOL FLOOR
  - \*\*THE HEIGHT BETWEEN THE BEAD RECEPTICAL (COPING) AND THE BOTTOM OF THE WALL
- NOTE: -> ALL DIMENSIONS MUST BE FINISHED HORIZONTALLY OR VERTICALLY  
 -> DIMENSIONS F + G + H + I MUST TOTAL DIMENSION 'B'  
 -> DIMENSIONS C + D + E MUST TOTAL DIMENSION 'A'  
 -> DO NOT FORGET DIMENSIONS M & N

FIGURE 4

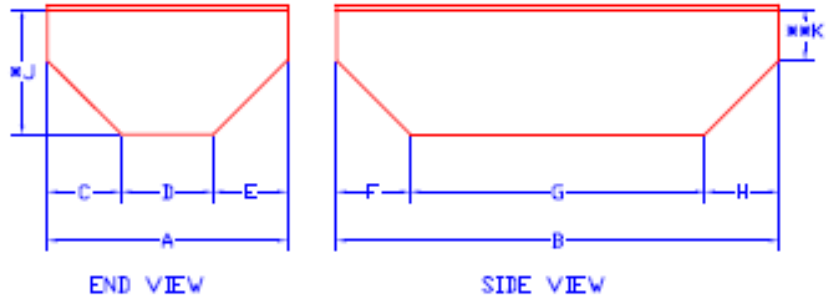
## ALTERNATIVE SLOPE



- \*THE HEIGHT BETWEEN THE BEAD RECEPTICAL (COPING) AND THE POOL FLOOR
  - \*\*THE HEIGHT BETWEEN THE BEAD RECEPTICAL (COPING) AND THE BOTTOM OF THE WALL
- NOTE: -> ALL DIMENSIONS MUST BE FINISHED HORIZONTALLY OR VERTICALLY  
 -> DIMENSIONS F + G + H MUST TOTAL DIMENSION 'B'  
 -> DIMENSIONS C + D + E MUST TOTAL DIMENSION 'A'

FIGURE 5

## FLAT BOTTOM SLOPE

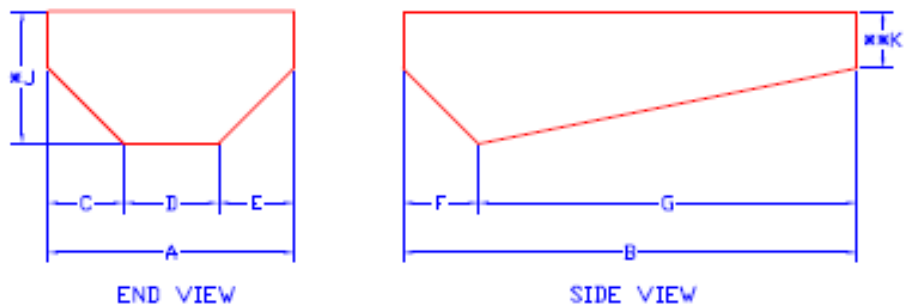
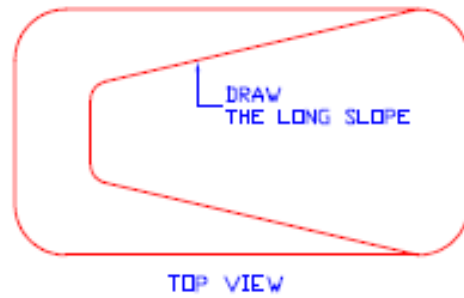


SEEN FROM  
THE DEEP END  
TOWARDS THE SHALLOW END

- \*THE HEIGHT BETWEEN THE BEAD RECEPTICAL (COPING) AND THE POOL FLOOR
- \*\*THE HEIGHT BETWEEN THE BEAD RECEPTICAL (COPING) AND THE BOTTOM OF THE WALL
- NOTE: -> ALL DIMENSIONS MUST BE FINISHED HORIZONTALLY OR VERTICALLY
- > DIMENSIONS F + G + H MUST TOTAL DIMENSION 'B'
- > DIMENSIONS C + D + E MUST TOTAL DIMENSION 'A'

FIGURE 6

## CONTINUOUS SLOPE



SEEN FROM  
THE DEEP END  
TOWARDS THE SHALLOW END

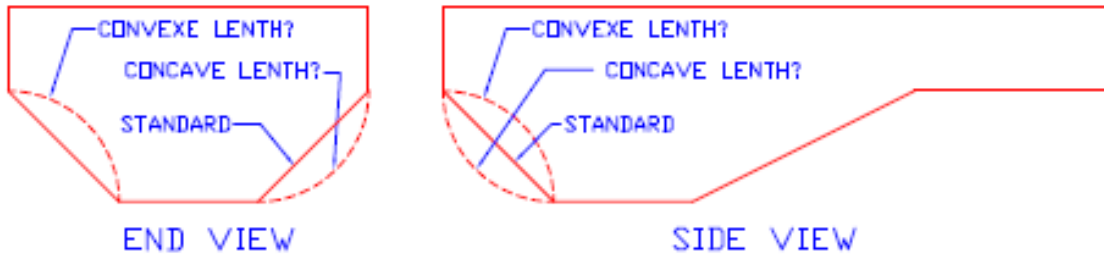
- \*THE HEIGHT BETWEEN THE BEAD RECEPTICAL (COPING) AND THE POOL FLOOR
- \*\*THE HEIGHT BETWEEN THE BEAD RECEPTICAL (COPING) AND THE BOTTOM OF THE WALL
- NOTE: -> ALL DIMENSIONS MUST BE FINISHED HORIZONTALLY OR VERTICALLY
- > DIMENSIONS F + G MUST TOTAL DIMENSION 'B'
- > DIMENSIONS C + D + E MUST TOTAL DIMENSION 'A'

FIGURE 7

## CONCAVE OR CONVEX SLOPE

- CONCAVE SLOPE, DRAW AND SPECIFY THE LENGTH
- CONVEX SLOPE, DRAW AND SPECIFY THE LENGTH

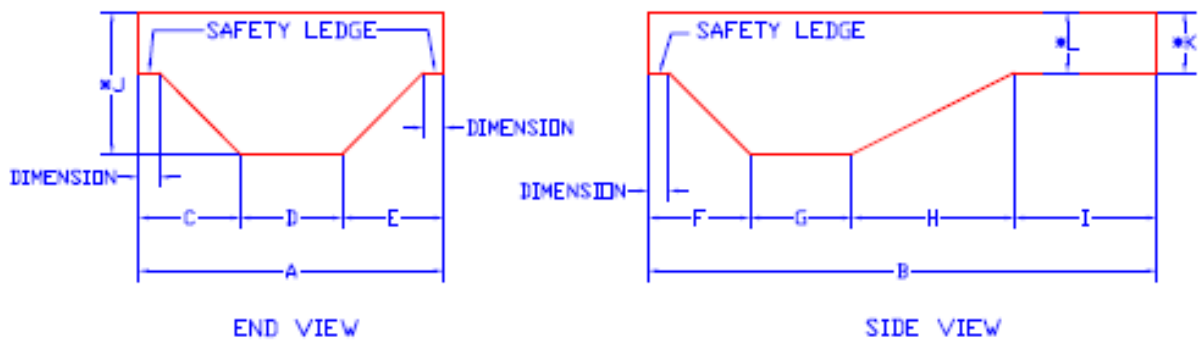
### STANDARD SLOPE WITH CONCAVE OR CONVEX BOTTOM



SEEN FROM  
THE DEEP END  
TOWARDS THE SHALLOW END

## SAFETY LEDGE SLOPES

### STANDARD SLOPE



SEEN FROM  
THE DEEP END  
TOWARDS THE SHALLOW END

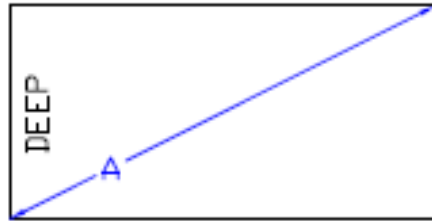
FIGURE 8

3) **RECTANGULAR**

- FILL IN SIDE ``B`` OF THE MEASUREMENT SHEET
- MEASURE THE REQUESTED LENGTHS AND FILL IN THE CAHRT

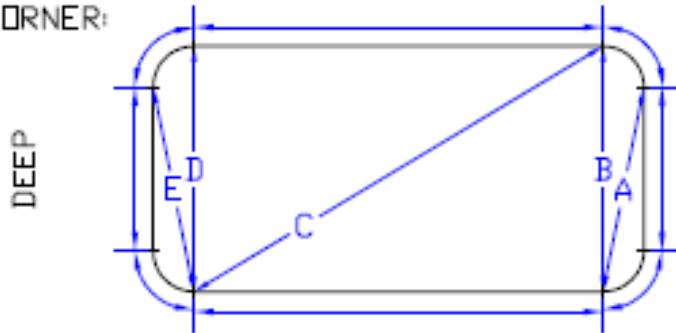
RECTANGULAR

SQUARE CORNER:



	FT INCH	
A		

ROUND CORNER:



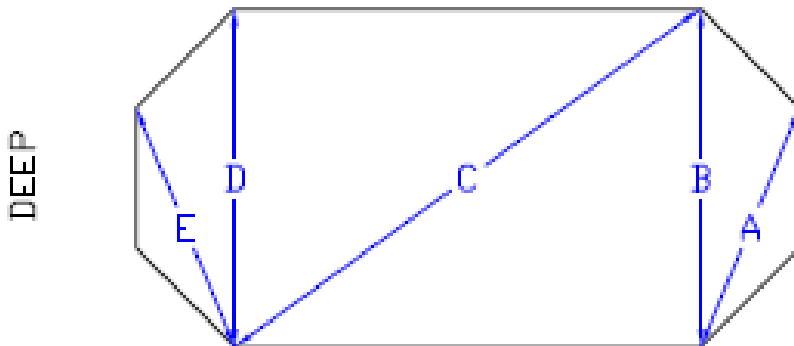
	FT INCH	
A		
B		
C		
D		
E		

4) **OCTOGONAL**

- FILL IN SIDE ``B`` OF THE MEASUREMENT SHEET
- MEASURE THE REQUESTED LENGTHS AND FILL IN THE CAHRT

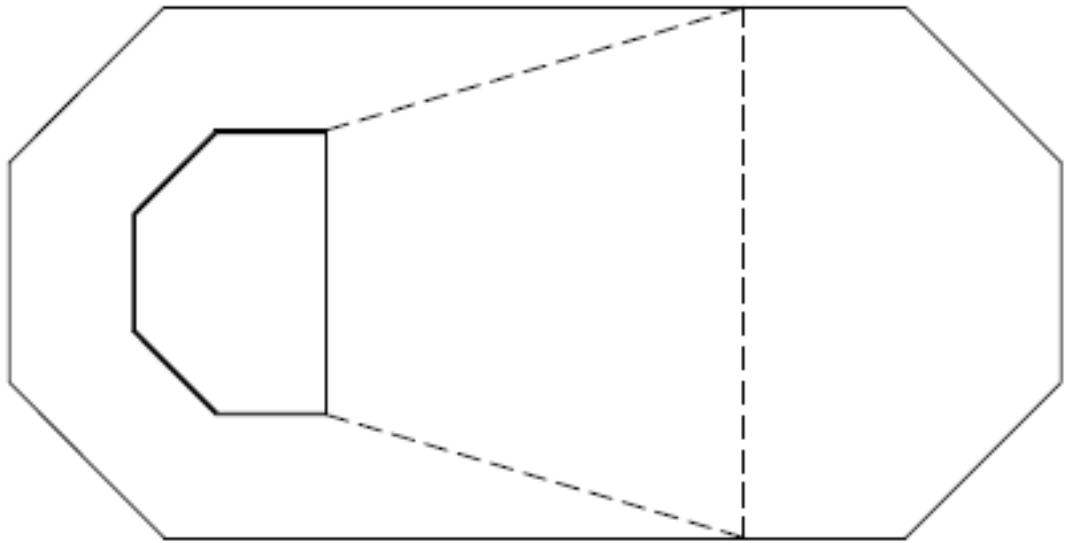
OCTOGONAL

Deep end, Indicate if Parallel  or Square  (See figure 12)



	FT INCH	
A		
B		
C		
D		
E		

DEEP END PARALLEL TO THE WALL



DEEP END SQUARE

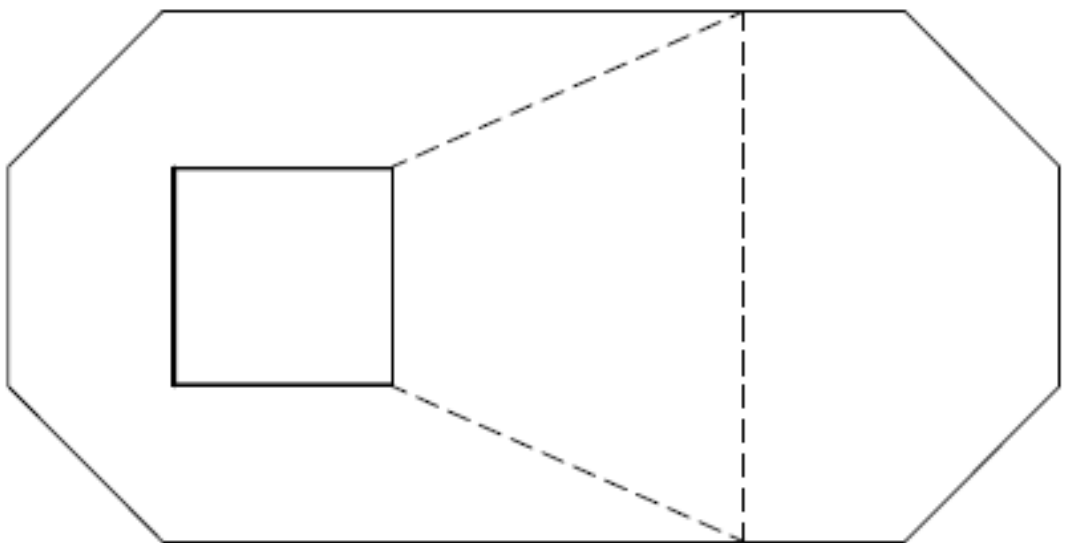
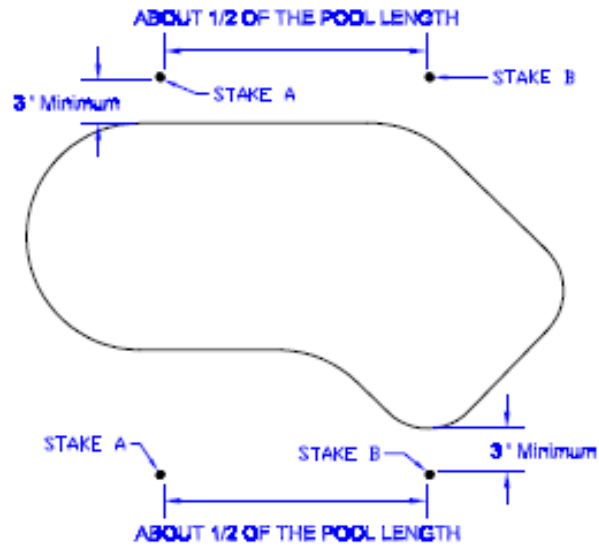


FIGURE 12

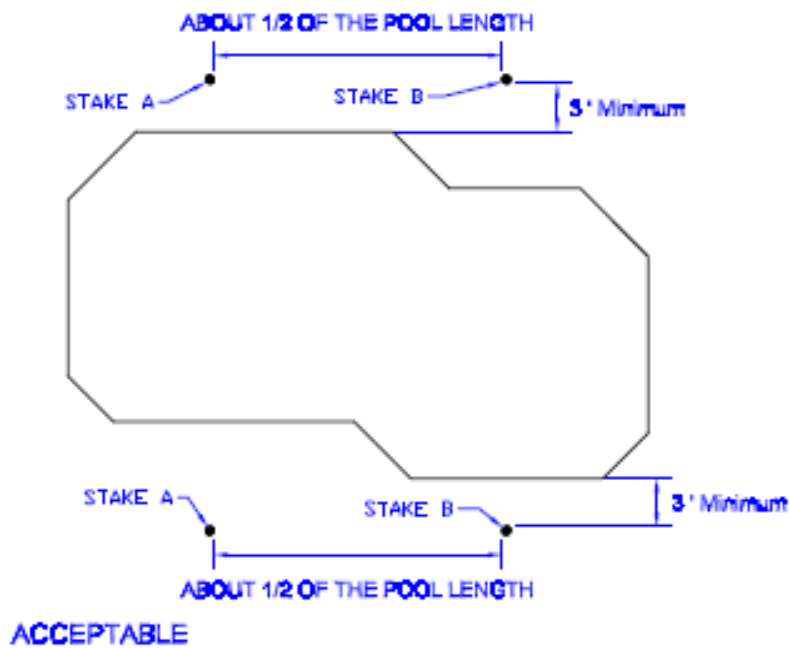
## 5) OTHER SHAPES (USE "A" AND "B" METHODS)

- DRIVE 2 STAKES ON THE OUTSIDE OF THE POOL, (STAKE "A" & STAKE "B"), APART APPROXIMATELY HALF (1/2) THE LENGTH OF THE POOL, ON THE LONGEST SIDE OF THE POOL, AT A MINIMUM OF AT LEAST 3' FEET AWAY FROM THE POOL.

### RECOMMENDED



### RECOMMENDED





FIND THE WALL PANEL JUNCTIONS AND MARK THEM (SEE FIG. 10)  
 TRANSFER THESE POINTS ONTO THE UPPER END OF THE SIDING OF THE  
 POOL (COPING), ALIGNED VERTICALLY WITH THE WALL PANELS. (SEE FIG.  
 11).

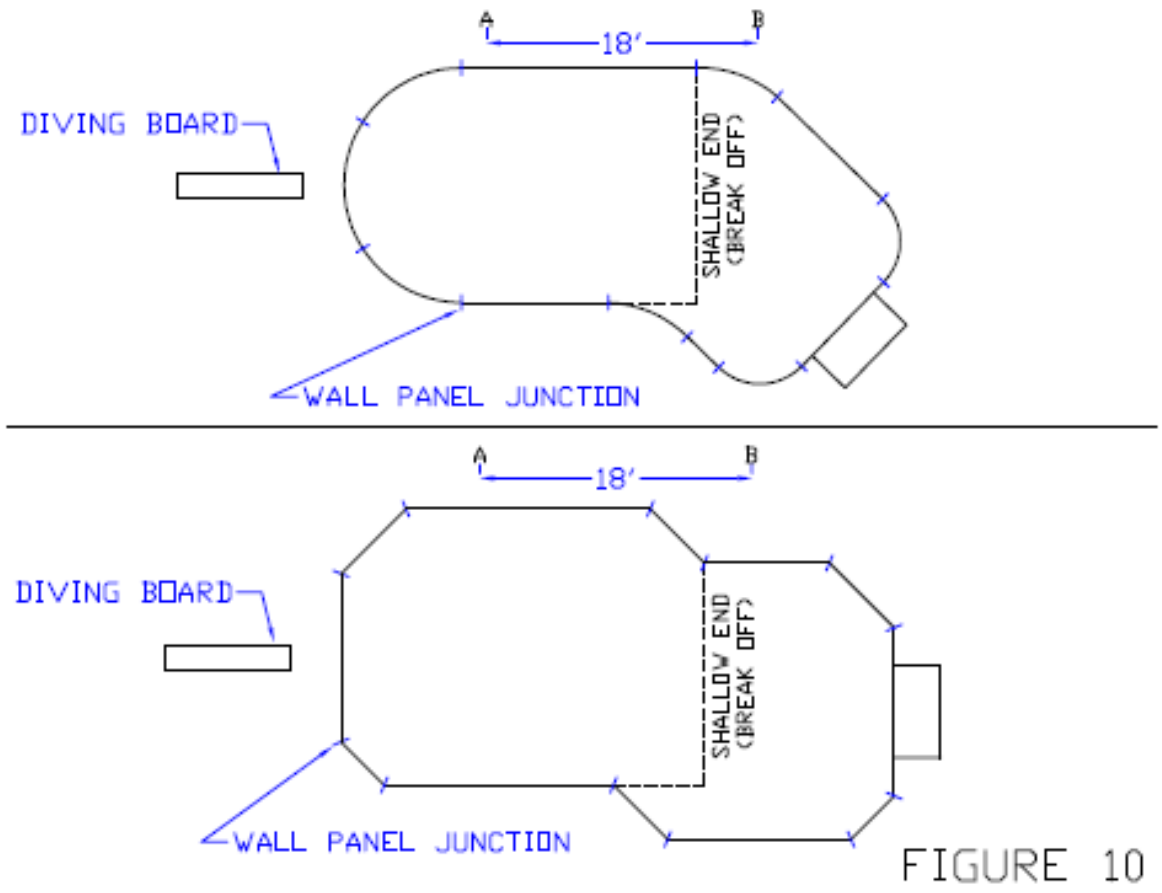


FIGURE 10

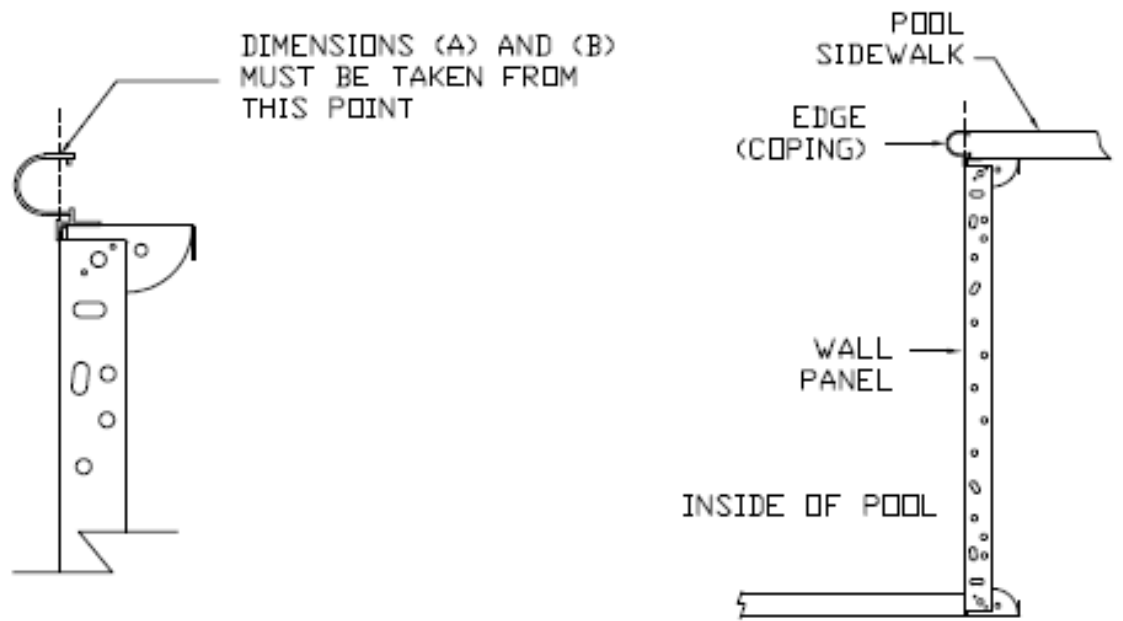
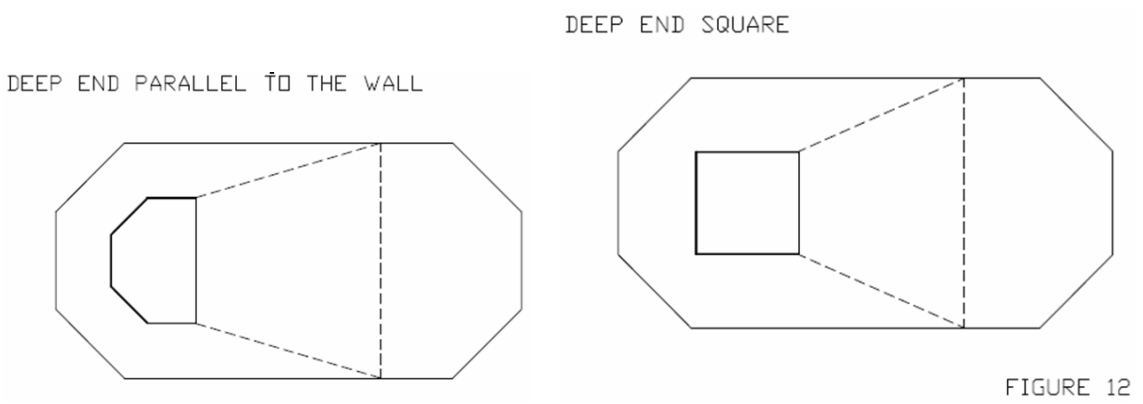
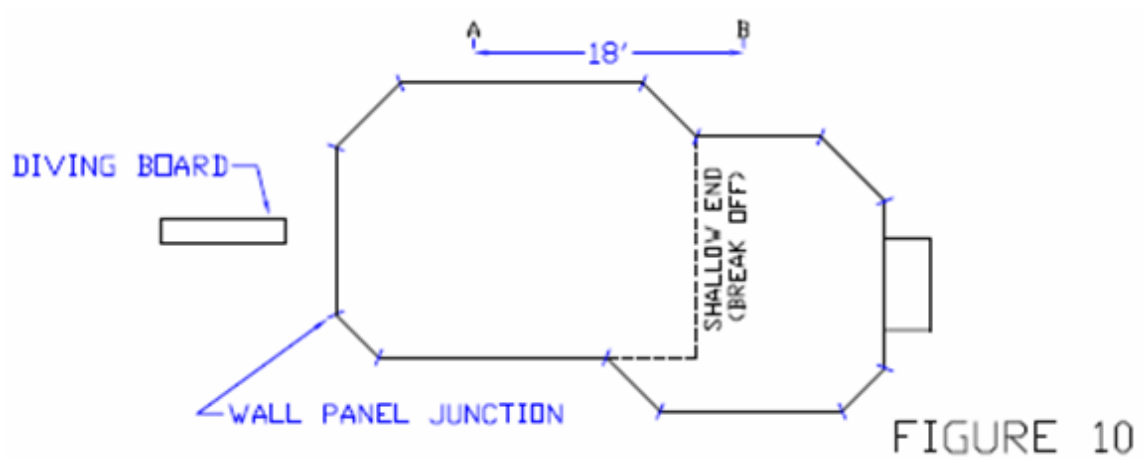


FIGURE 11

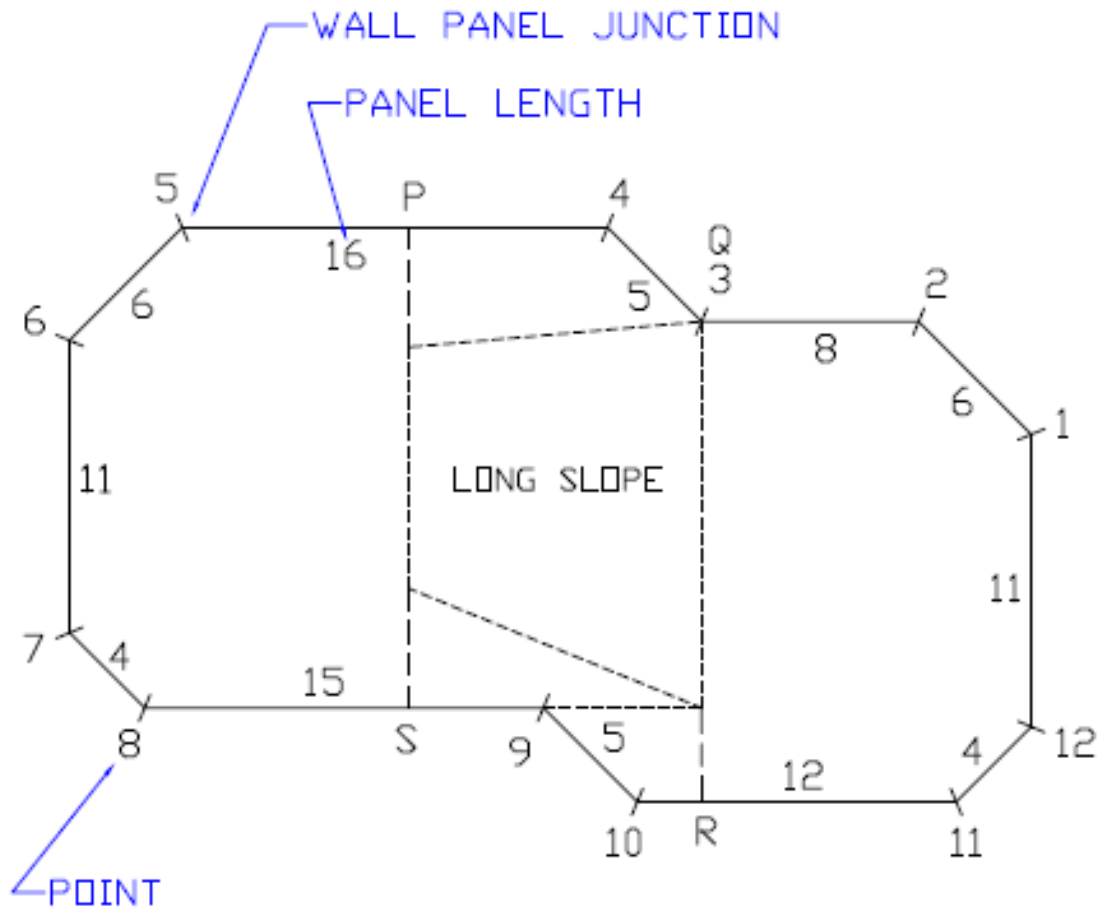
5A) ON THE MEASUREMENT SHEET, SIDE ``A``, DRAW THE SHAPE OF THE POOL, AND A DIVING BOARD TO INDICATE THE DEEP END (SEE FIG. 10). INDICATE ON THE MEASUREMENT SHEET IF THE DEEP END IS PARALLEL OR SQUARE (SEE FIG. 12). IF THE DEEP END IS NOT PARALLEL OR SQUARE, DRAW THE DEEP END. INDICATE THE LOCATION OF THE STEP, IF APPLICABLE (SEE FIG. 10). DRAW THE STAKES A & B AND INDICATE THE **HORIZONTAL DISTANCE** BETWEEN THEM (SEE FIG. 10). INDICATE THE WALL PANEL JUNCTIONS (SEE FIG. 10). **DRAW THE SHALLOW END OF THE POOL (BREAK OFF)** (SEE FIG. 10).

Perimeter: \_\_\_\_\_ Deep end:  Parallel  Square (Fig.12)



**5B) POOLS WITH ONLY STRAIGHT PANELS:** (Ex.: RIO, SUMMERVILLE)

NUMBER THE SIDE EDGES, STARTING IN THE SHALLOW END.  
NOTATE THE **LENGTH OF THE PANELS**. LONG SLOPE, LOCATE AND IDENTIFY (DEEP P & S, SHALLOW Q & R). IF THE LONG SLOPE IS NOT STRAIGHT, DRAW THE SLOPES.



**5B1) POOL WITH ONLY CURVED PANELS OR WITH CURVED AND STRAIGHT PANELS:** (Ex.: KIDNEY, LAZY-L)

ON SIDE "A" OF THE MEASUREMENT SHEET, NUMBER THE WALL PANEL JUNCTIONS STARTING FROM THE SHALLOW END. **CURVED PANELS** SHOULD HAVE THREE POINTS: ONE AT THE *START* OF THE PANEL, ANOTHER *APPROXIMATELY IN THE CENTER*, AND THE OTHER AT *THE END*. LONG SLOPE, LOCATE AND MARK (DEEP P & S, SHALLOW Q & R). IF NOT STRAIGHT, DRAW THE SLOPE. IF IN A CURVE THERE ARE ONE OR MORE STRAIGHT PANELS, INDICATE WHERE THEY ARE LOCATED (SEE FIG. 15). WRITE THE **LENGTH OF THE PANELS** OF THE POOL.

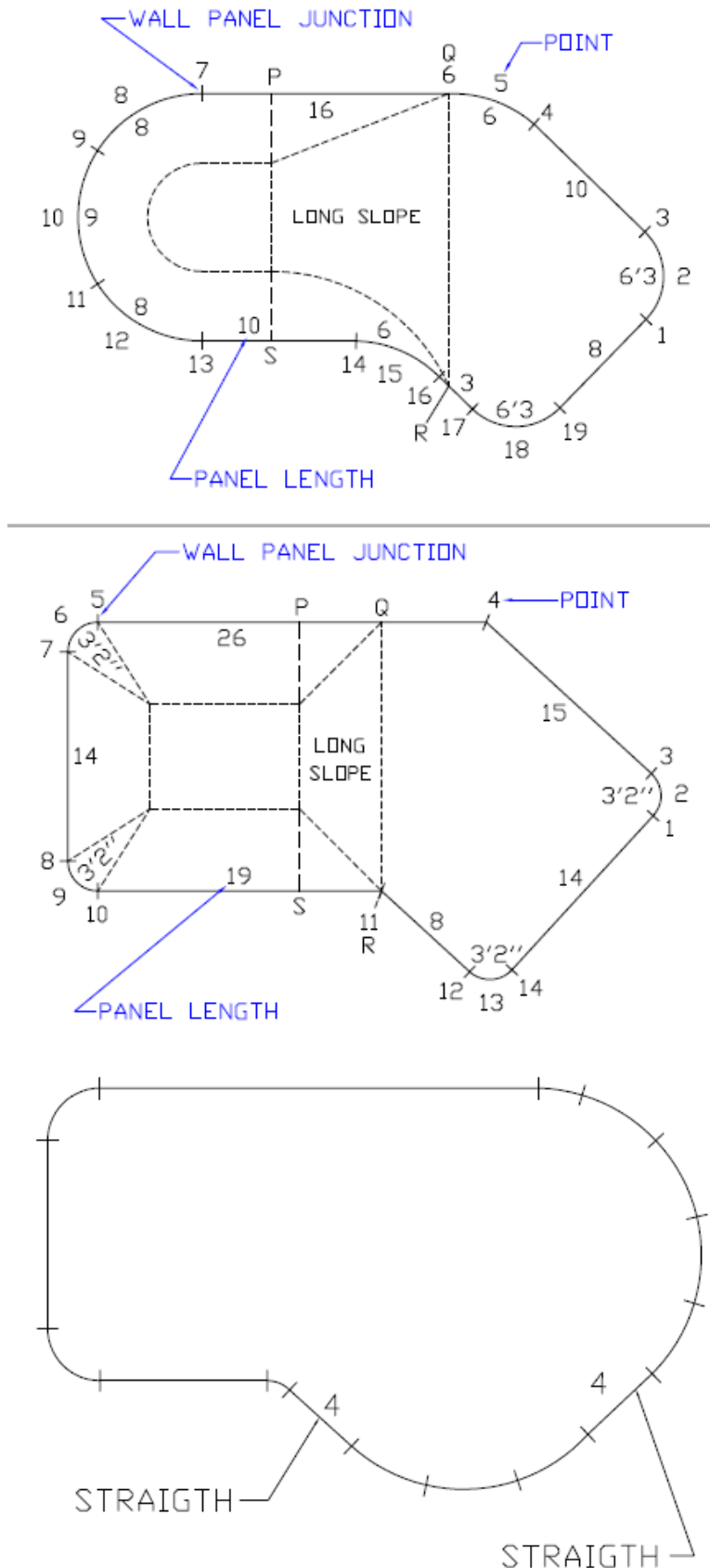


FIGURE 15

- 6) MEASURE **HORIZONTALLY** THE DISTANCE, BETWEEN STAKE ``A`` AND POINT 1, (*BE PRECISE, TO A QUARTER (1/4) OF AN INCH*) AND NOTE IT ON SIDE ``A`` OF THE MEASUREMENT SHEET, IN THE APPROPRIATE SLOT. THEN BETWEEN STAKE ``B`` AND POINT 1, AND NOTE IT IN THE APPROPRIATE SLOT ON THE MEASUREMENT SHEET. THEN, MEASURE **HORIZONTALLY** THE DISTANCE BETWEEN STAKE ``A`` AND POINT 2, AND NOTE IT IN THE APPROPRIATE SLOT ON THE MEASUREMENT SHEET, THEN BETWEEN STAKE ``B`` AND POINT 2 AND NOTE IT IN THE APPROPRIATE SLOT ON THE MEASUREMENT SHEET. PROCEED AROUND THE POOL IN THIS MANNER.

**DISTANCE BETWEEN A & B STAKES:** \_\_\_\_\_

	A		B			A		B			A		B	
	FT	INCH	FT	INCH		FT	INCH	FT	INCH		FT	INCH	FT	INCH
P					13					29				
Q					14					30				
R					15					31				
S					16					32				
1					17					33				
2					18					34				
3					19					35				
4					20					36				
5					21					37				
6					22					38				
7					23					39				
8					24					40				
9					25					41				
10					26					42				
11					27					43				
12					28					44				

**NOTE:** YOU MAY USE TWO MEASURING TAPES AT THE SAME TIME, MARK 1 AS "A" FOR STAKE "A", AND THE OTHER "B" FOR STAKE "B".

**PLEASE MAKE SURE TO WRITE CLEARLY, SINCE IT WILL BE FAXED TO US.**